



Engineering Guidance Paper

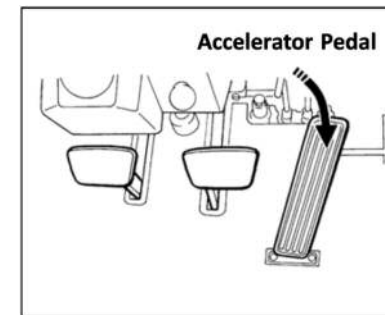
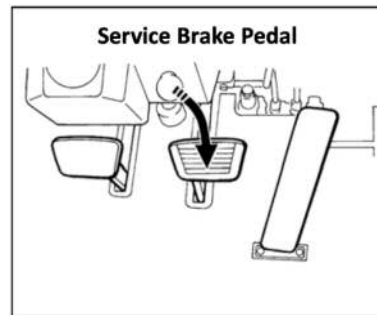
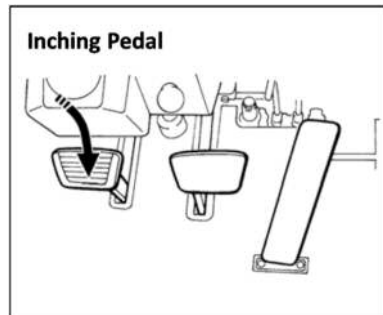
Document
AITA-002

Page
1/2

Guidelines for Correct Usage of Control Pedals
(Internal Combustion Forklift equipped with Power Shift Transmission)

Rev. Date
17.12.2017

Rev
3



The purpose of the inching pedal is to disengage the transmission without having to shift the gear lever into neutral every time a lift is performed.

This pedal allows you to bring the forklift to a stop or to slow it down. Additionally, a "hill start" should be performed using the service brake pedal & NOT the inching pedal.

This pedal allows you to adjust the rotational speed of the engine. The engine speed changes according to the degree to which the accelerator pedal is depressed.

To inch (creep) in either direction.

1. Slowly push down on the inching pedal. This will gradually disengage drive through the transmission in preparation for a load to be lifted.

2. Vary the position of the inching pedal and the accelerator pedal to control the travel speed.

3. Pushing down further on the inching pedal will disengage the transmission completely and apply the service brakes fully to stop and hold the lift truck while allowing full engine power for fast hydraulic lift.

NOTE: It is strongly recommended NOT to use the inch pedal when creeping into racking with raised loads.

To stop the lift truck when travelling in either direction.

1. Release the accelerator pedal.

2. Push down on the service brake pedal and bring the truck to a smooth stop.

3. If the need arises to stop on a ramp or slope, the handbrake must be engaged. To drive out of this situation, the service brake pedal should be fully depressed & the transmission engaged, then gently accelerate as the handbrake is released.

To increase or decrease travel speed in either direction.

1. Push down on the accelerator pedal to obtain the desired travel speed.

2. Release the accelerator pedal and push down on the service brake pedal to decrease travel speed.



Engineering Guidance Paper

Guidelines for Correct Usage of Control Pedals
(Internal Combustion Forklift equipped with Power Shift Transmission)

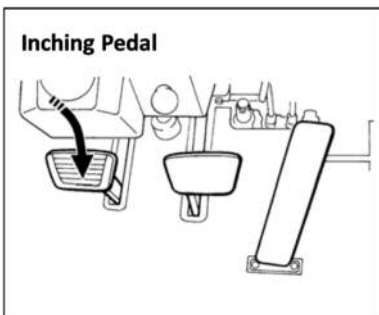
Document
AITA-002

Rev. Date
17.12.2017

Page
2/2

Rev
3

Inching Pedal



⚠ WARNING

Instead use the brake pedal only to keep the transmission fully in gear & minimize the risk of jerky operation.

Forklift must be stationary when lifting a load.

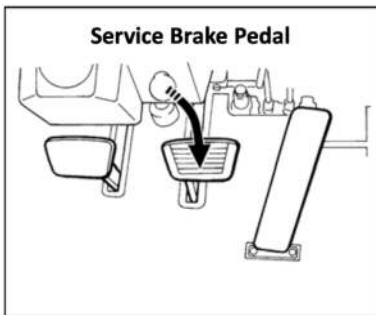
DO NOT leave your foot on the inching pedal when driving the forklift.

DO NOT "ride" the inching pedal.

It will cause the transmission to slip and generate a large amount of heat which may cause the transmission to overheat, wear down in a short time or seize up in the worst case.

Do not release the inch pedal suddenly when engine revs are high as this can cause drive wheel slippage & premature tyre wear. Additionally it can cause loads to shift & become unbalanced & dangerous.

Service Brake Pedal



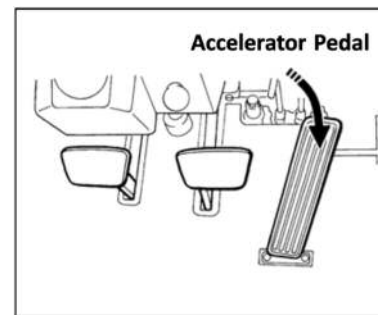
⚠ WARNING

- Do not brake the forklift too hard. Doing so may cause the forklift to become unbalanced or cause loss of load and could result in a serious accident.

- Adjust the braking effort according to the load weight and surrounding conditions.

- Do not leave your foot on the brake pedal while driving. Doing so may cause the brakes to fail because of overheating. Also, it increases brake wear.

Accelerator Pedal



⚠ WARNING

- Do not depress the accelerator pedal quickly. Depress it slowly to prevent a sudden or rapid start, which could make the load unstable or fall.