	<b>Engineering Guidance Paper</b>	Document AITA-005	Page 1/6
	Use of Slip on Attachments on Forklifts (FLT)	Rev. Date 18.09.2017	Rev 2

**Definition:** any attachment which can be mounted on forks, also referred to as slip on attachment.

**Scope:**

- Attachment design (structural capacity etc)
- Securing methods
- Rating of attachment – check rating notification from manufacturer
- Rating of FLT for use with attachment
- Risk Control Measures

## **WARNING**

Use of any slip on attachment on a forklift is only allowed if it has been approved by the forklift manufacturer and/or their authorised agent and the forklift has been rated accordingly; refer to AS2359.2 Industrial trucks Part 2. Operation, clause 6.7 Modification excerpt below.

*“Industrial trucks or their attachments shall not be modified in any way which will affect operation or performance within the scope of this standard, except with the prior approval of the manufacturer and the Statutory Authority. After any such change has been effected, appropriate alterations shall be made to any relevant nameplates and markings prior to placing the industrial truck or its attachments back into service.”*

**Exceeding the authorised truck/attachment capacity with an attachment can cause a tip-over or damage to forklift truck or equipment.**

**Note: Some slip on attachments may require the lift truck tyre specifications changed/upgraded. Eg wide spreader for handling large sheets of gyprock or particle board**

### **Attachment Design Requirements**

All Forklift mount attachments must be designed and tested by suitable qualified personnel and manufactured in accordance with AS2359 and or ISO3691.1 design requirements.

### **Securing Methods**

All fork mounted attachment **must be secured** as per manufacturer’s instruction.

All components must be inspected and in good working order prior to use. (refer illustration 1 & 2. for common types)

### **Rating of Attachment**

All attachments used on a forklift truck must be marked in accordance with AS2359.6 clause 5.2

Removable attachments:

- a) name of manufacturer
- b) type
- c) production or serial number
- d) weight of the attachment & distance of its centre of gravity from attachment mounting face.
- e) rated capacity of the attachment

**NOTE:** The following warning shall be added:


*“WARNING. Actual load may be restricted by reference to the capacity of the truck.”*

### **Rating of FLT for use with Attachment**

The forklift truck data plate/name plate, sometimes referred to as a load rating plate or capacity plate must display actual capacity, load centre and lift heights of all attachments approved for use on that particular forklift truck.

**Note:** Your truck might have more than one data plate/load rating plate, depending on number of approved attachments allowed to be used.

The only person authorised to provide the forklift truck data plate information is the forklift truck manufacturer or approved agent or distributor.

	<b>Engineering Technical Bulletin</b>	Document AITA-005	Page 2/6
	Use of Slip on Attachments on Forklifts (FLT)	Rev. Date 18.09.2017	Rev 2




## CAUTION

Extra care is required when operating a forklift with an attachment; forklift fitted with an attachment acts as a partially loaded truck even when operated without a load.

### When using an attachment

#### DO'S

- ✓ Ensure slip on attachment is suitable for task to be performed.
- ✓ Inspect attachment to ensure attachment and securing devices are in good working order prior to use.
- ✓ Ensure all systems/functions of the forklift truck and attachment are checked unladen prior to handling any load.
- ✓ Ensure load is within forklift truck actual capacity as stated on the forklift truck rating plate.
- ✓ Ensure load is evenly distributed wherever possible.
- ✓ Ensure a safe working environment.
- ✓ Ensure attachment is installed and used as per manufacturer's instructions, **securing devices in place.**
- ✓ Travel with load as low as practical.
- ✓ Travel in direction and speed suitable for application.
- ✓ Operator must be trained on correct use of attachment on the particular forklift. (The use of slings on jibs may require additional training and or qualifications) This includes reading and understanding the forklift truck and attachment operating instructions.
- ✓ Ensure all Risk Control Measures and operating instructions supplied by the manufacturer are complied with – both forklift and attachment.
- ✓ Do regular maintenance, testing and inspections of forklift truck and attachment in accordance with the manufacturer's instructions.

	<b>Engineering Technical Bulletin</b>	Document AITA-005	Page 3/6
	Use of Slip on Attachments on Forklifts (FLT)	Rev. Date 18.09.2017	Rev 2


## CAUTION

Extra care is required when operating a forklift with an attachment; forklift fitted with an attachment acts as a partially loaded truck even when operated without a load.


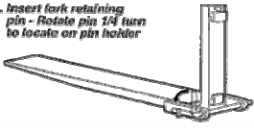
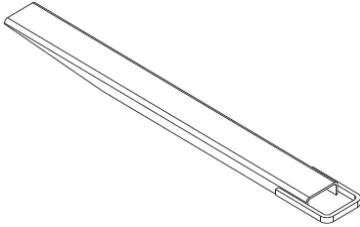
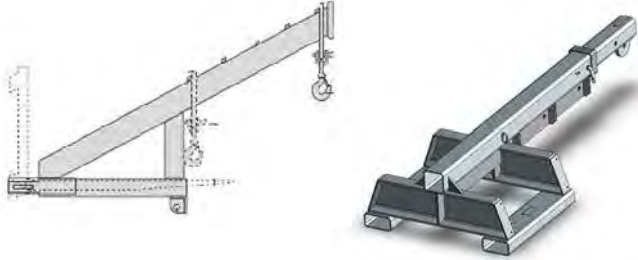

### **DONT'S**

- \* Do Not travel at excess speed.
- \* Do Not create a hazardous situation when using fork mounted attachment.
- \* Do Not travel with load elevated at height above the minimum necessary to transport the load.
- \* Do Not put slings around forks.
- \* Do Not tilt the mast forward when a loaded jib is attached.
- \* Do Not drag or push a load along the ground with the attachment.
- \* Do Not release Grab Arms, Jaws etc. holding a load unless the load is firmly resting on the ground or on a solid support.

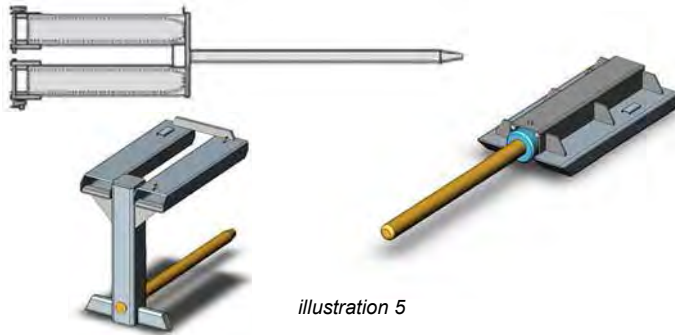
*Note: Side shift should be centralised when using jibs.*

	<b>Engineering Technical Bulletin</b>	Document AITA-005	Page 4/6
	Use of Slip on Attachments on Forklifts (FLT)	Rev. Date 18.09.2017	Rev A2

### Some Examples of most Common Slip-on Attachments

<p><b>Slip-on Fork arm extensions (Slipper Fork)</b></p> <p>A. Insert forks into slipper all the way up to the head</p>  <p>B. Insert fork retaining pin - Rotate pin 1/4 turn to locate on pin holder</p>  <p style="text-align: center;"><i>illustration 1</i></p> <p>Quick mount type</p>  <p style="text-align: center;"><i>illustration 2</i></p>	<p>Slip-on fork arm extensions used to <b>temporarily</b> increase the fork length of the lift truck. Refer to AS2359.15 for fork arm extensions and required minimum fork tyne section and length.</p>
<p><b>Jib</b></p>  <p style="text-align: center;"><i>illustration 3</i></p>	<p>Jib used to allow handling of loads with slings.</p> <div style="background-color: yellow; text-align: center; padding: 5px;"> <p><b>⚠ CAUTION</b></p> </div> <p>Ensure any slings used are in good condition and of suitable capacity.</p>
<p><b>Bulk Bag Lifting Frame</b></p>  <p style="text-align: center;"><i>illustration 4</i></p>	<p>Frame used to allow handling of bulk bagged loads with lifting corner pockets.</p>

**Probe, Carpet pole/prong**



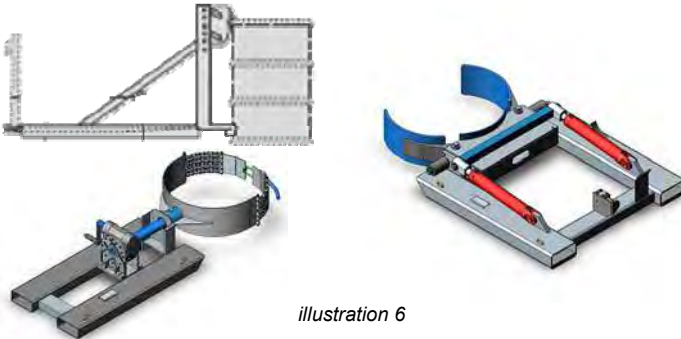
*illustration 5*

Probes used to handle loads such as coil, carpets and reels through the core.

**⚠ CAUTION**

This type of attachment extends the load centre and length of load. Take extra care when manoeuvring. If the load is longer than the pole then the load centre may be different compared to attachment load centre.

**Drum Handler**



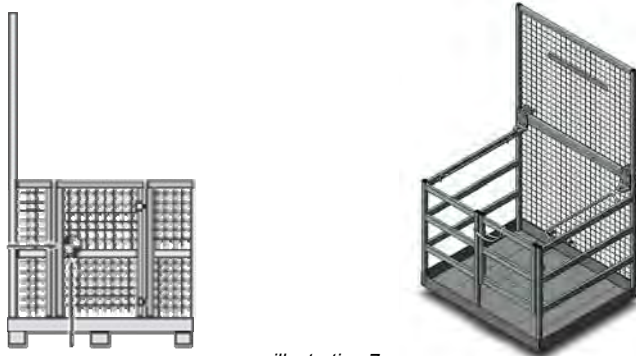
*illustration 6*

Drum Handler used to transport drums securely, variants available for tipping and or rotating drums.

**⚠ CAUTION**

Unstable loads such as partially filled liquid drums can cause truck instability by surging of the liquid.

**Work Platform**



*illustration 7*

For elevating personnel during maintenance operation (temporary use only ref AS2359.2).

**⚠ CAUTION**

Use of a work platform is only allowed if the forklift truck meets the specific requirements as specified by AS2359.1 & AS2359.2. Work platforms are subject to additional requirements; if in doubt consult your forklift supplier. Not for order picking use.

**Forward Bin Tipper**

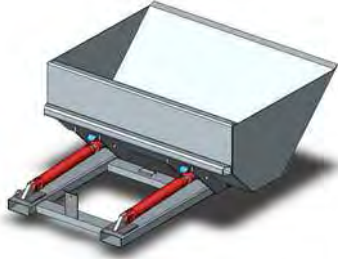

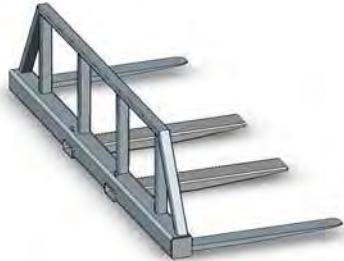



*illustration 8*

Forward bin tipper used to transport and empty bins with either hydraulic or mechanical control of forward tipping.

**⚠ CAUTION**

Do not overload, when using a forward bin tipper; centre of gravity will change.

<p><b>Dirt Bucket</b></p>  <p><i>illustration 9</i></p>	<p>Dirt Bucket used to transport and empty material with either hydraulic or mechanical control, forward tipping.</p> <p><b>⚠ CAUTION</b></p> <p>Do not overload, when using a dirt bucket the centre of gravity will change.</p>
<p><b>Tarp Puller</b></p>  <p><i>illustration 10</i></p>	<p><b>⚠ CAUTION</b></p> <p>The forklift must have a minimum 2500 kg rated capacity at 500mm L.C.</p> <p>Drive in forward direction only when spreading tarp with mast vertical using extreme care.</p>
<p><b>Double Pallet Handler</b></p>  <p><i>illustration 11</i></p>	<p>Used to handle two pallets at a time side by side.</p> <p><b>⚠ CAUTION</b></p> <p>Even loading of both pallets is important, both pallets should be similar weights to avoid a load with weight offset.</p> <p>Take extra care when manoeuvring, take into consideration the extra width especially when travelling in reverse.</p>
<p><b>Quick Disconnect Hydraulic Couplers</b></p>  <p><i>illustration 12</i></p>	<p>Allows quick and easy removal of hydraulic supply to attachments.</p> <p><b>⚠ CAUTION</b></p> <p>Relieve hydraulic pressure before disconnecting, and ensure covers are in place.</p>